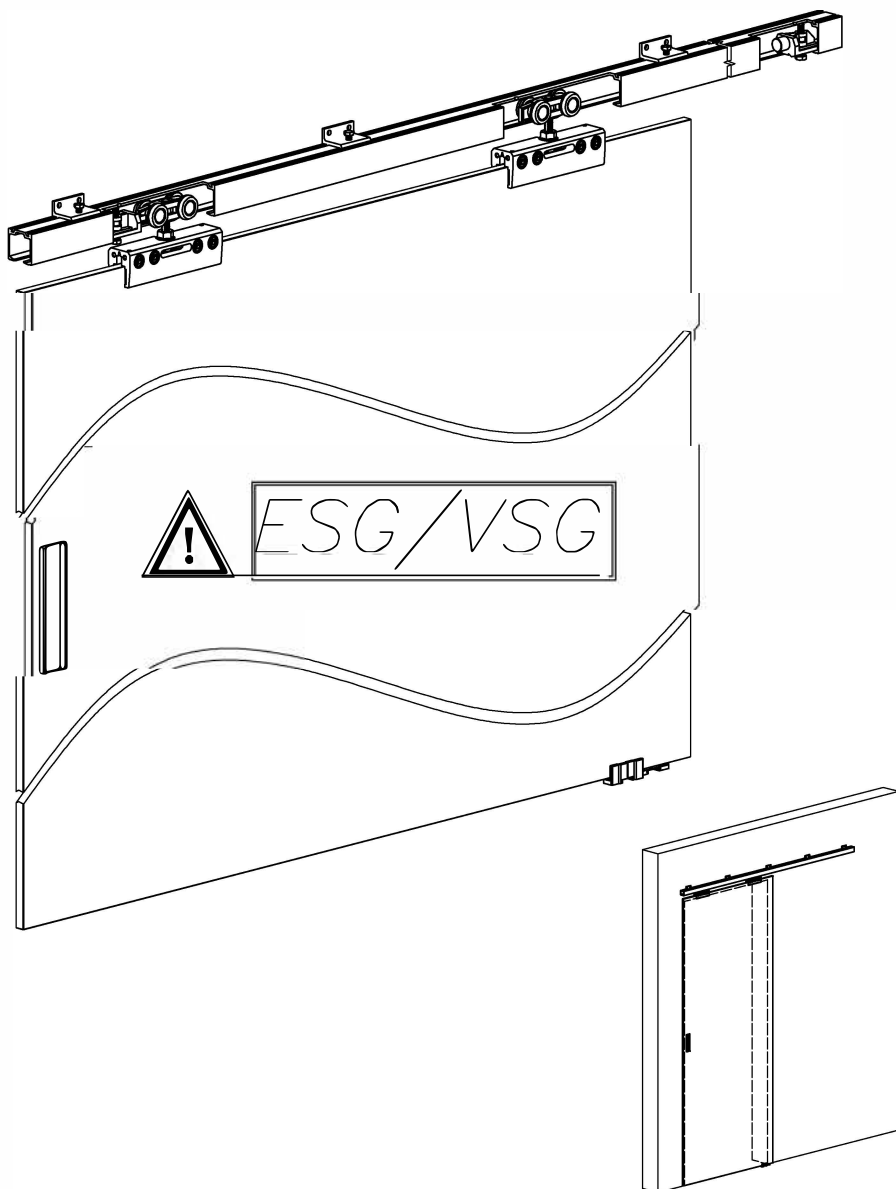
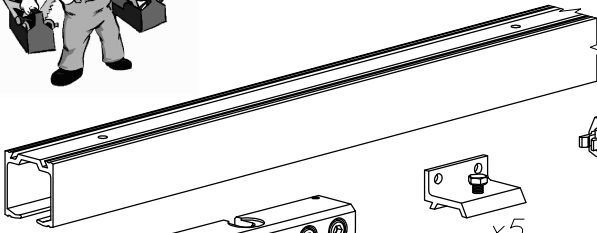
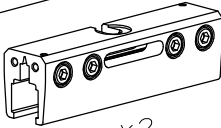


SLIDING GLASS





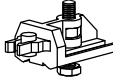
x1



x2



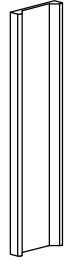
x5



x1



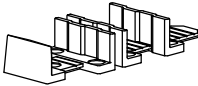
x1



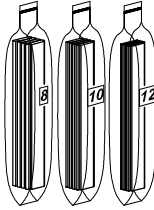
x2



x2



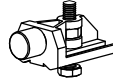
x1



x1

x1

x1



x1



x1



$\varnothing 4 \times 30$
x10



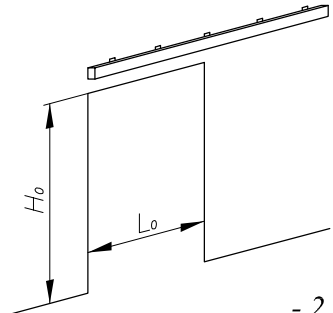
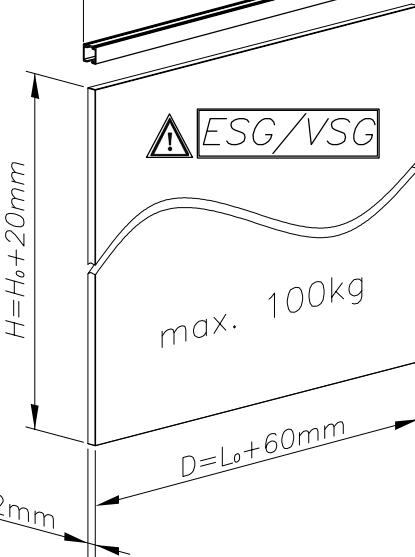
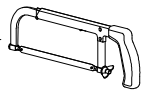
$\varnothing 8 \times 32$
x10

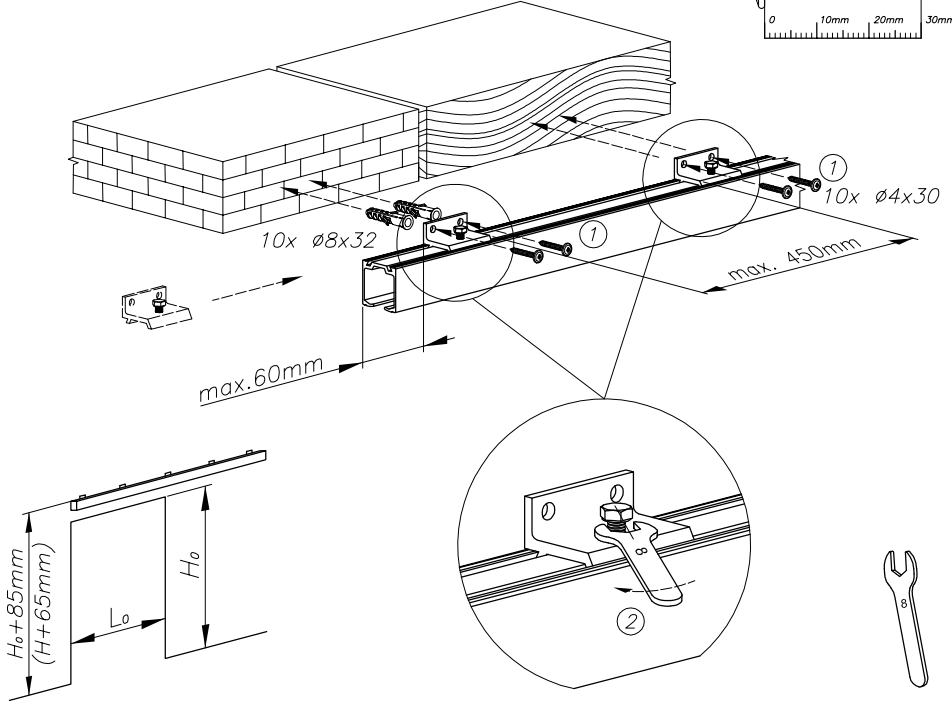
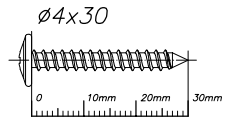


$\varnothing 4 \times 16$
x7

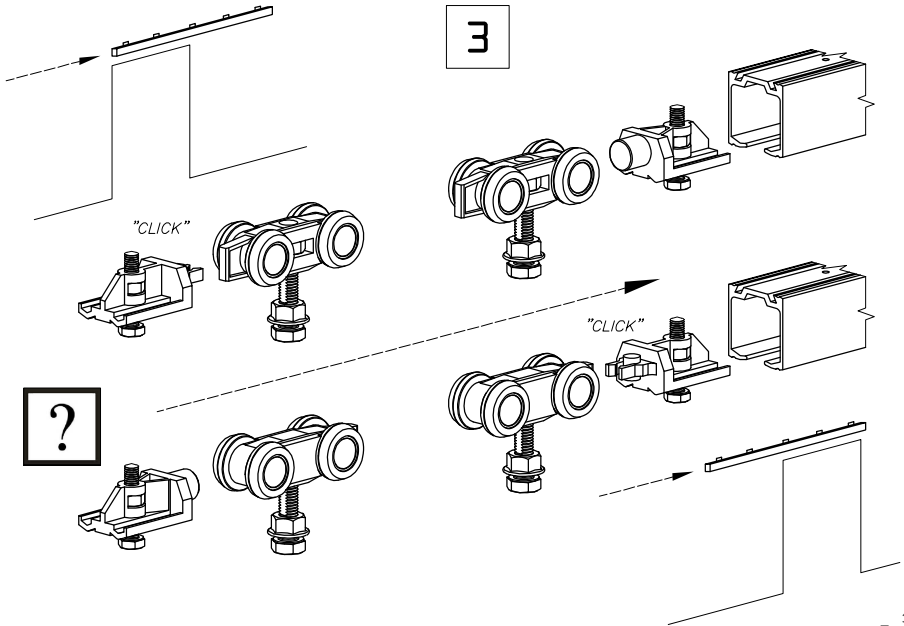


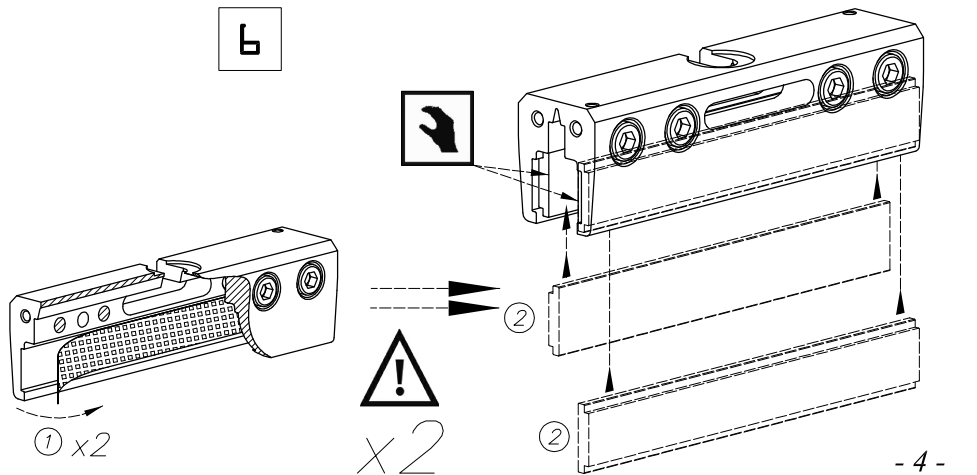
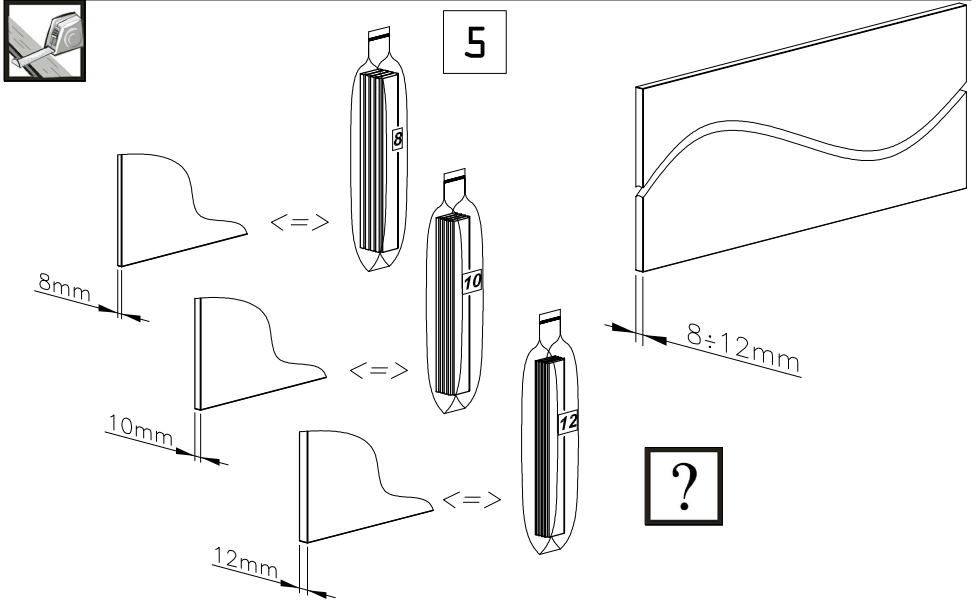
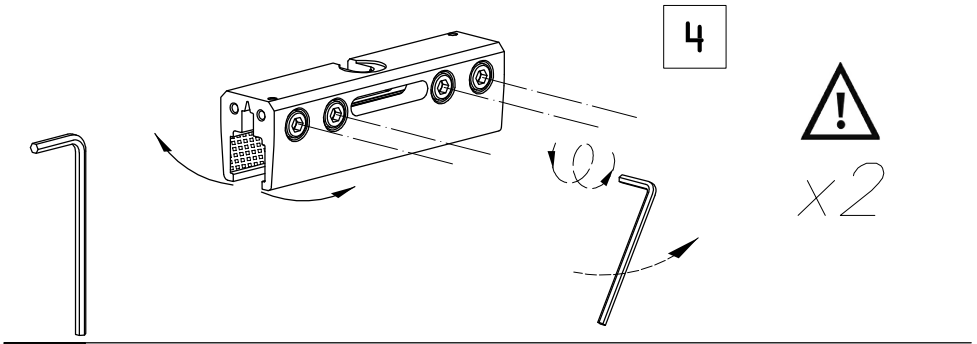
$$L = 2 \times L_0 + 40 \text{ mm}$$

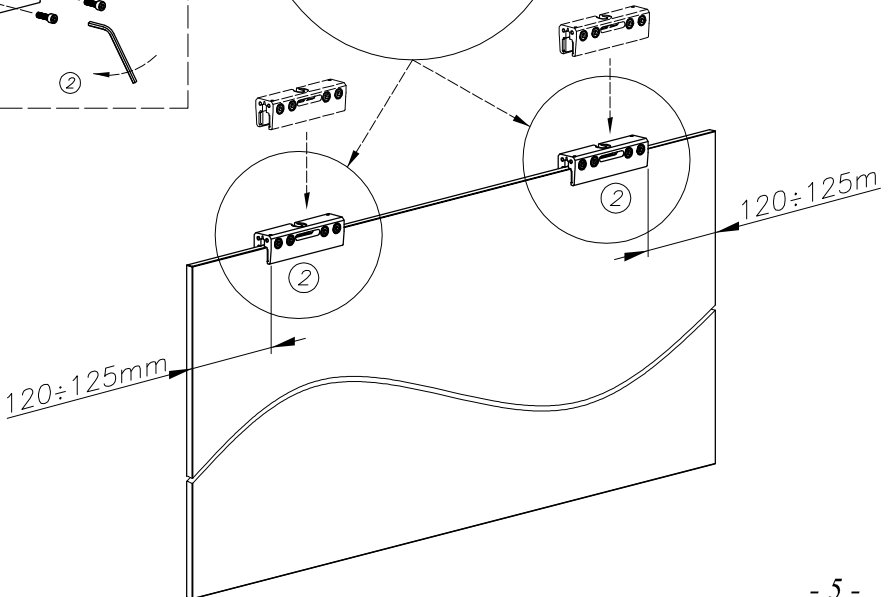
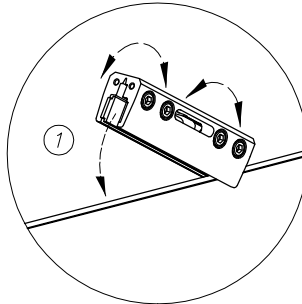
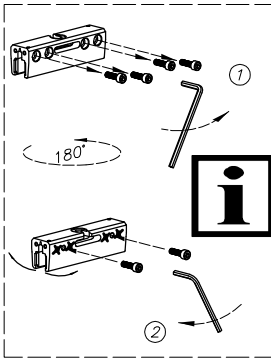
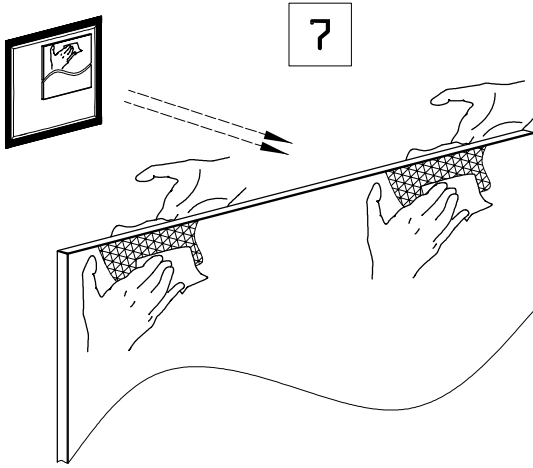




3





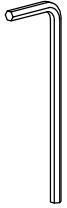




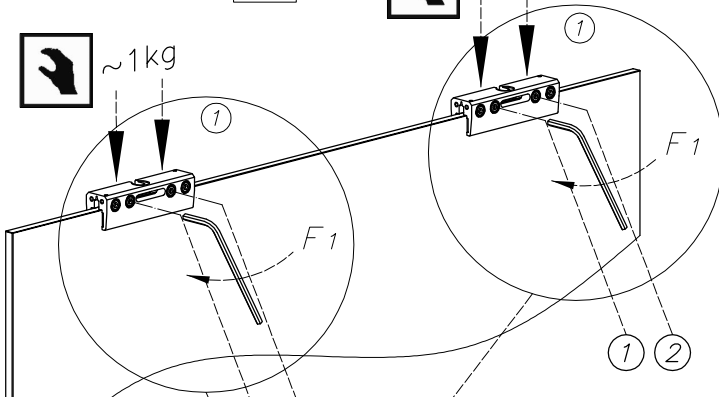
9



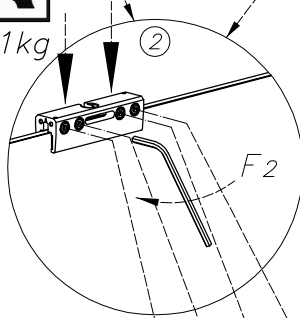
~1kg



~1kg



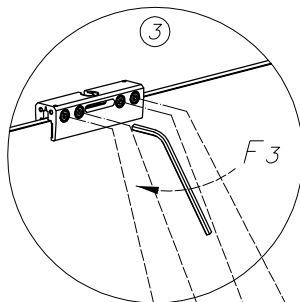
~1kg



$F_2 > F_1$



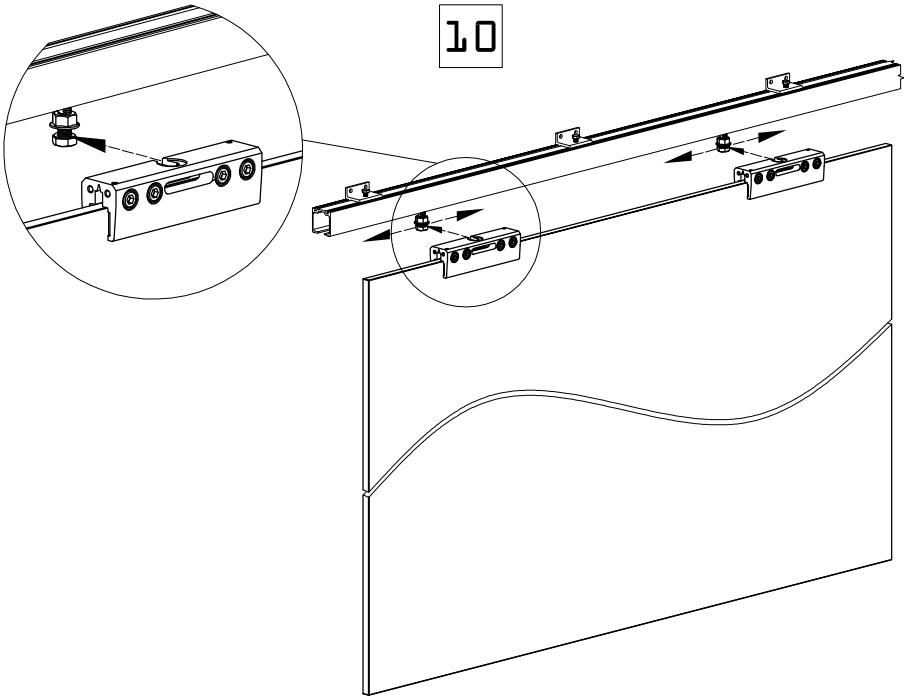
3 1 2 4



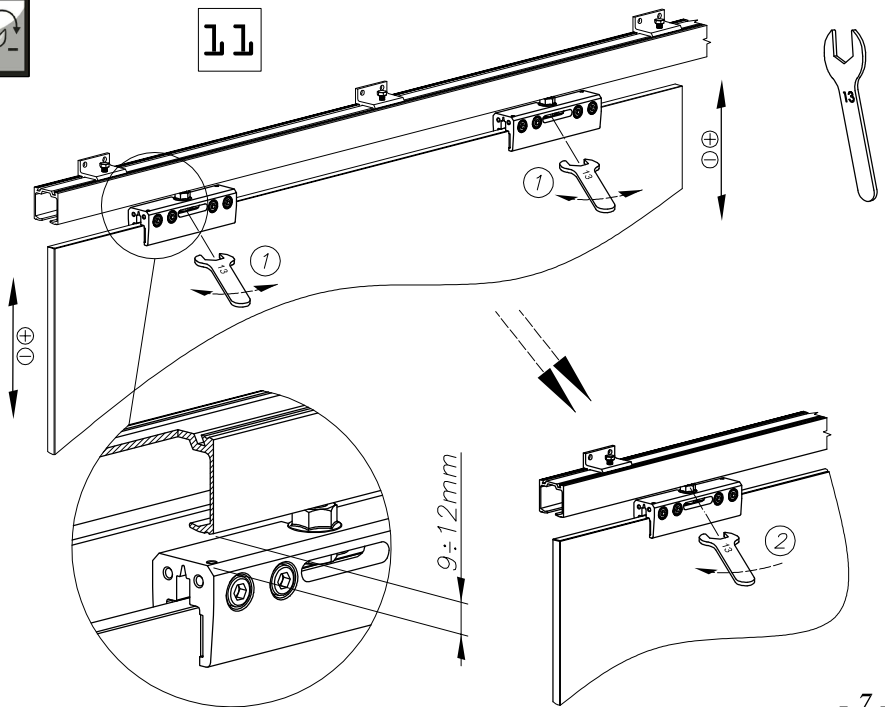
$F_3 = 26Nm$

3 1 2 4





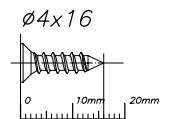
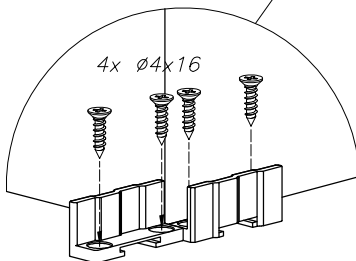
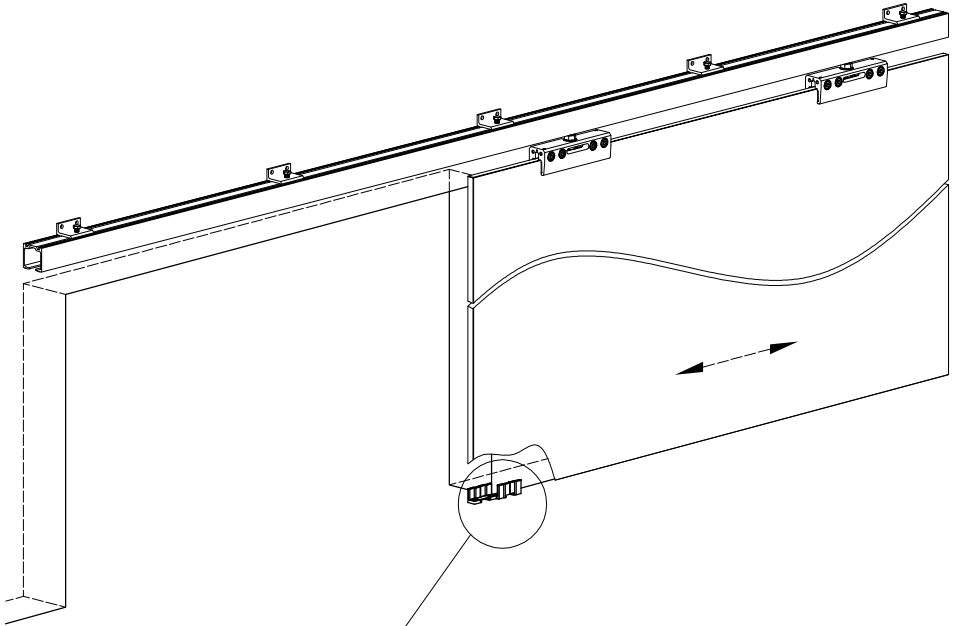
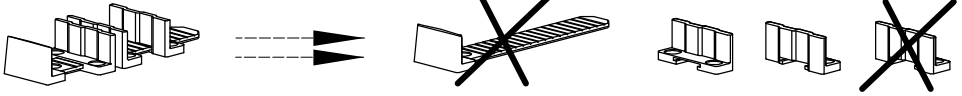
11

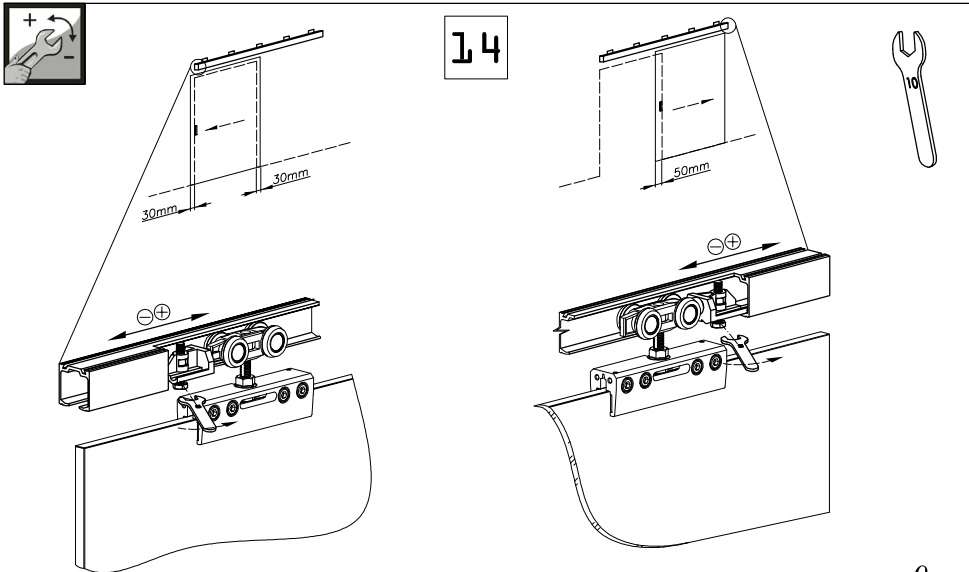
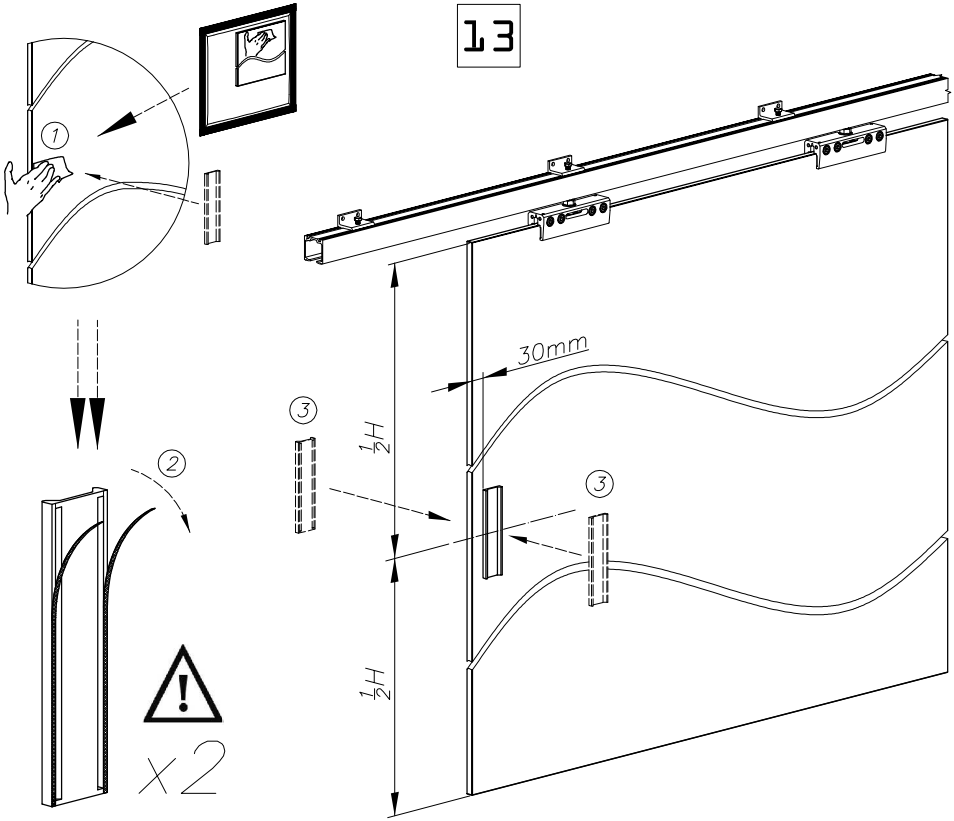




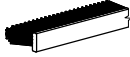
12

OK OK

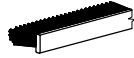




OPTIONS



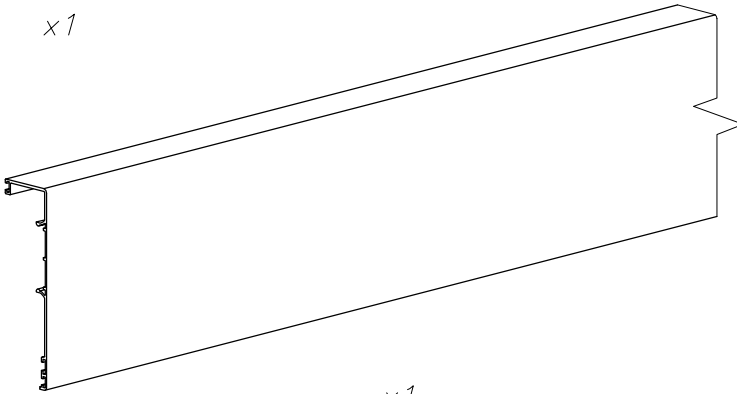
4,8x10mm
x1



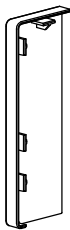
4,8x13mm
x1



6,9x4mm
x1



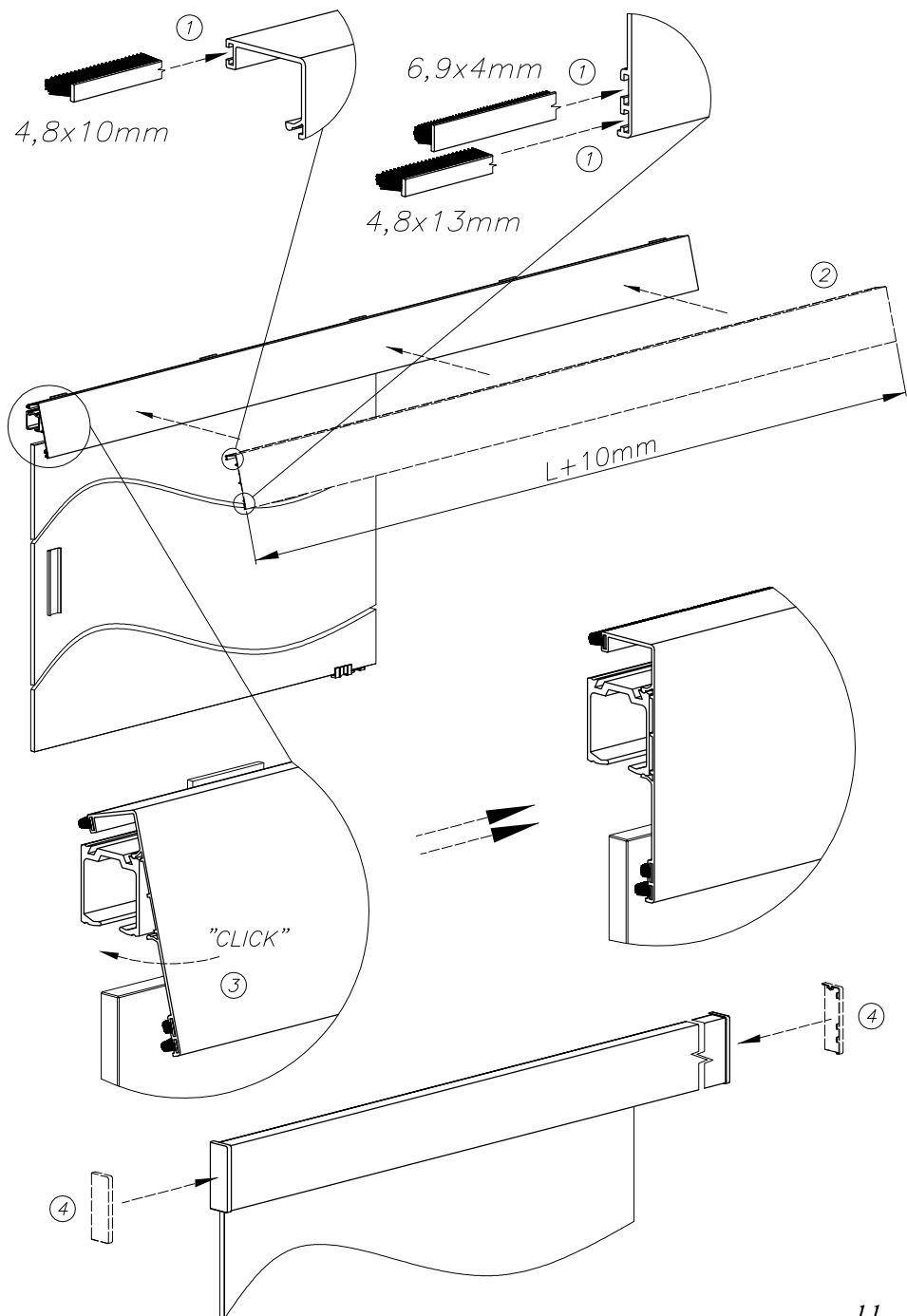
x1

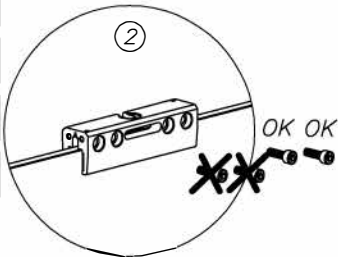
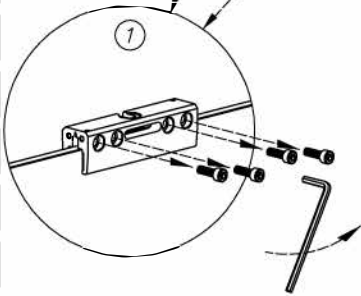
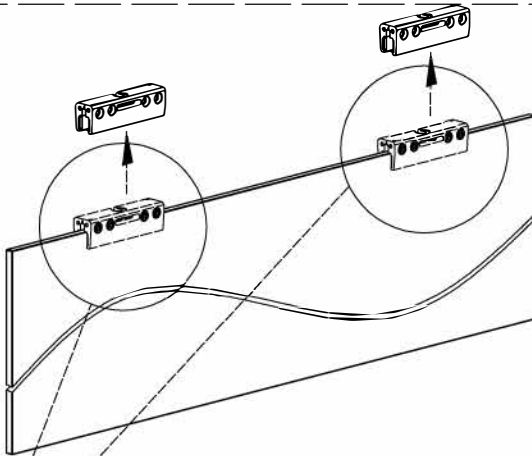


x1



x1





180°

