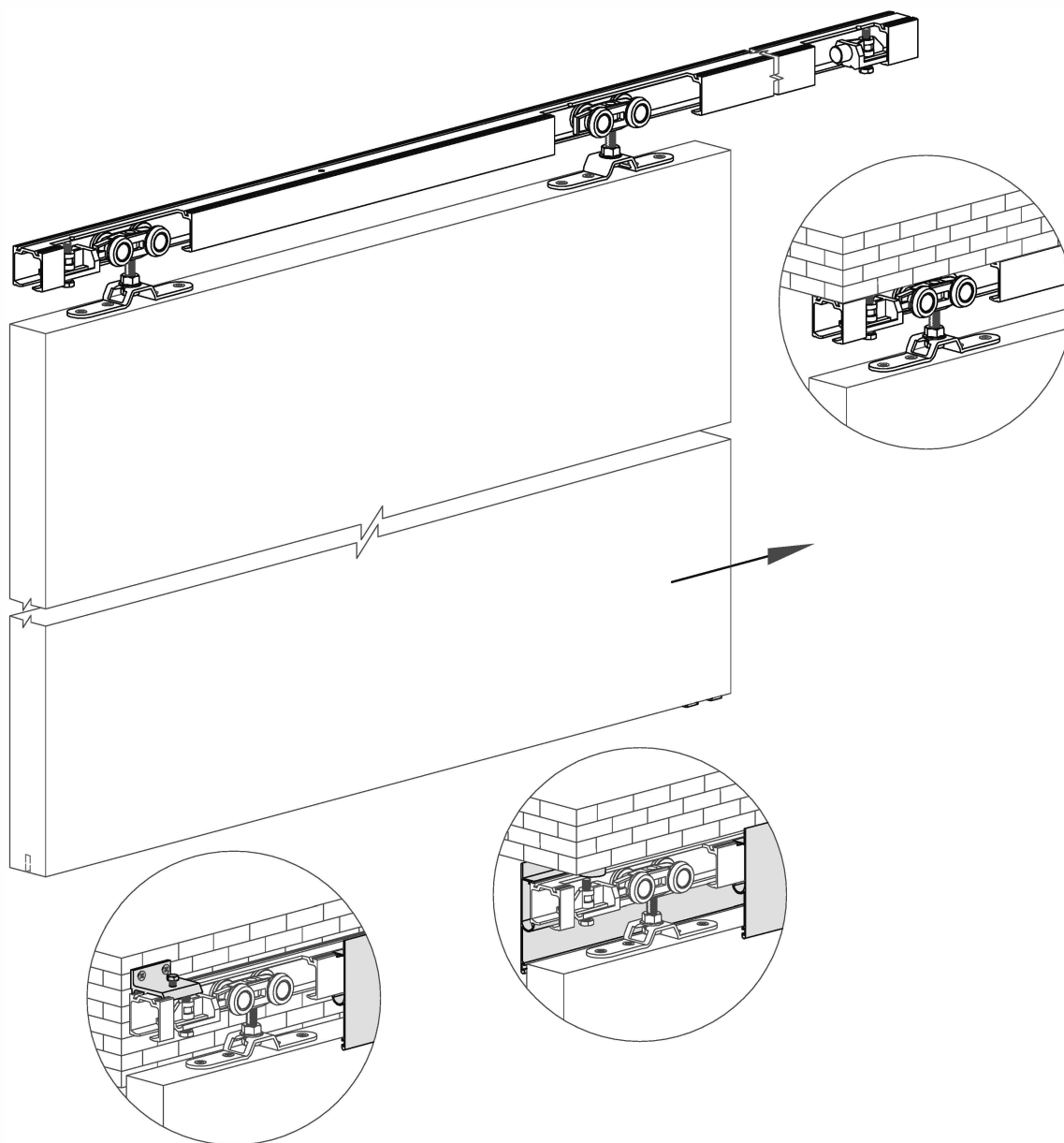
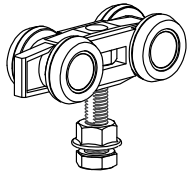
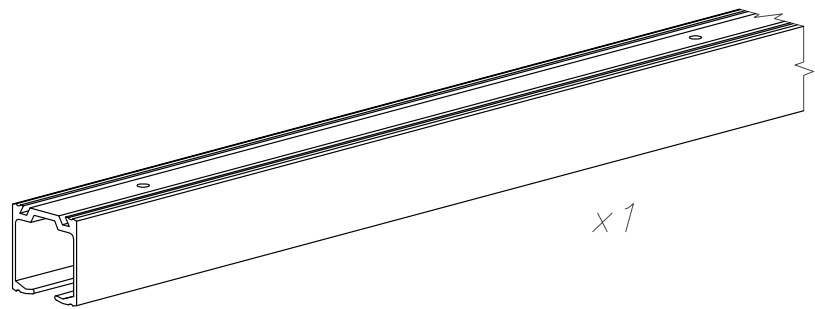


# SLIDING WOOD 120

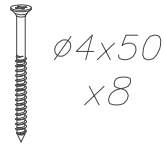




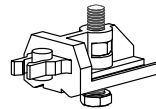
x2



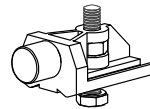
x2



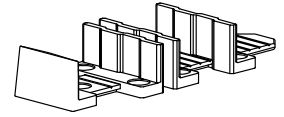
Ø4x50  
x8



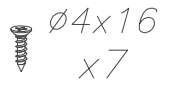
x1



x1



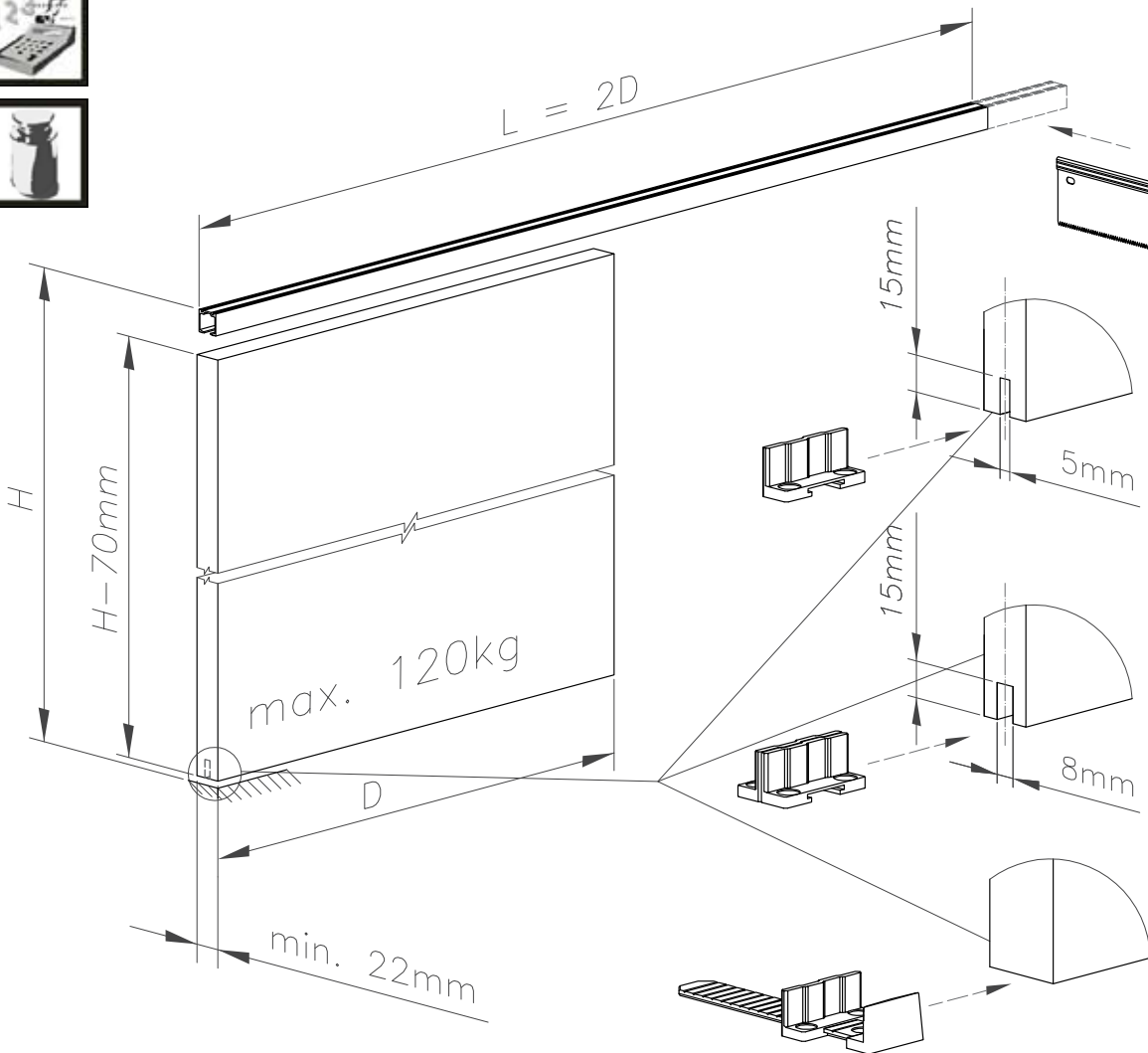
x1



Ø4x16  
x7

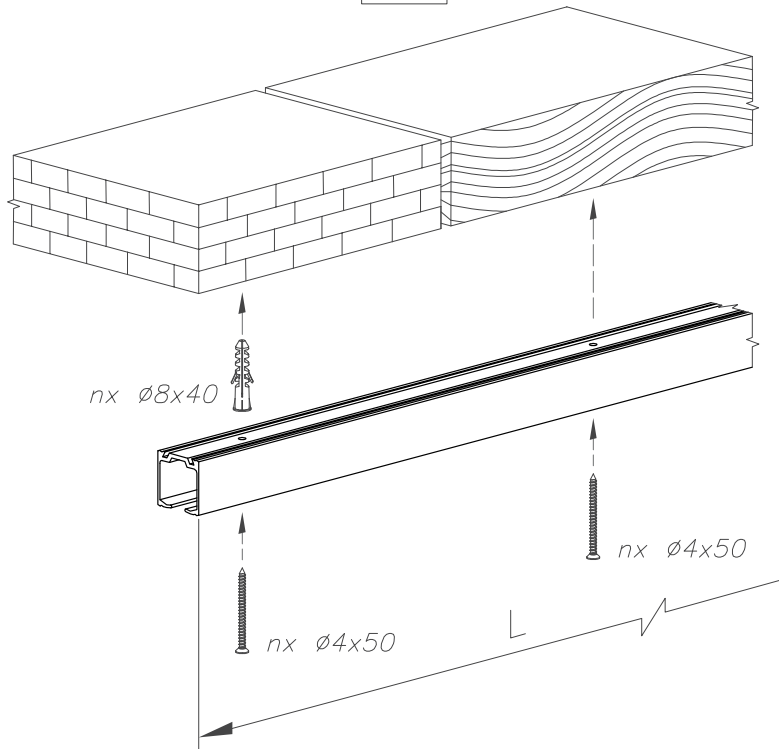


1



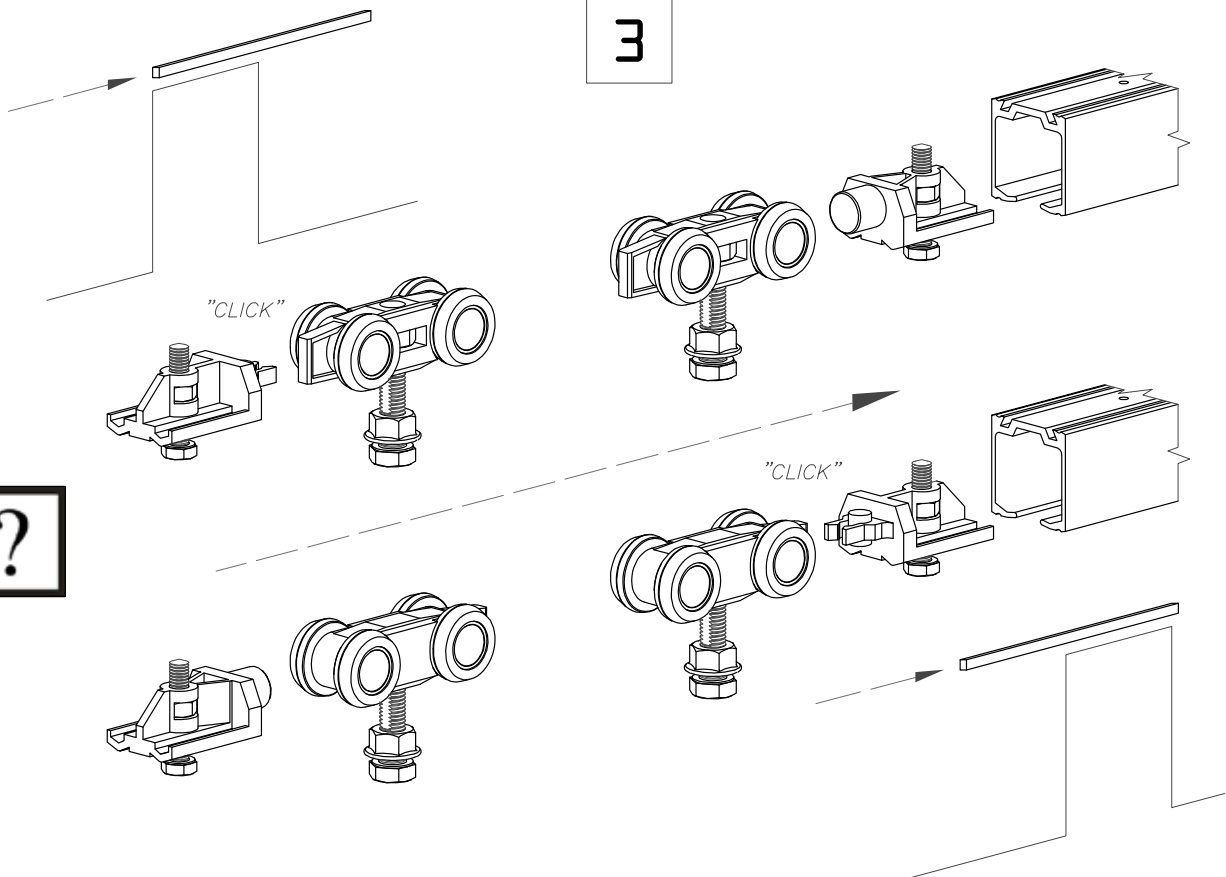


2



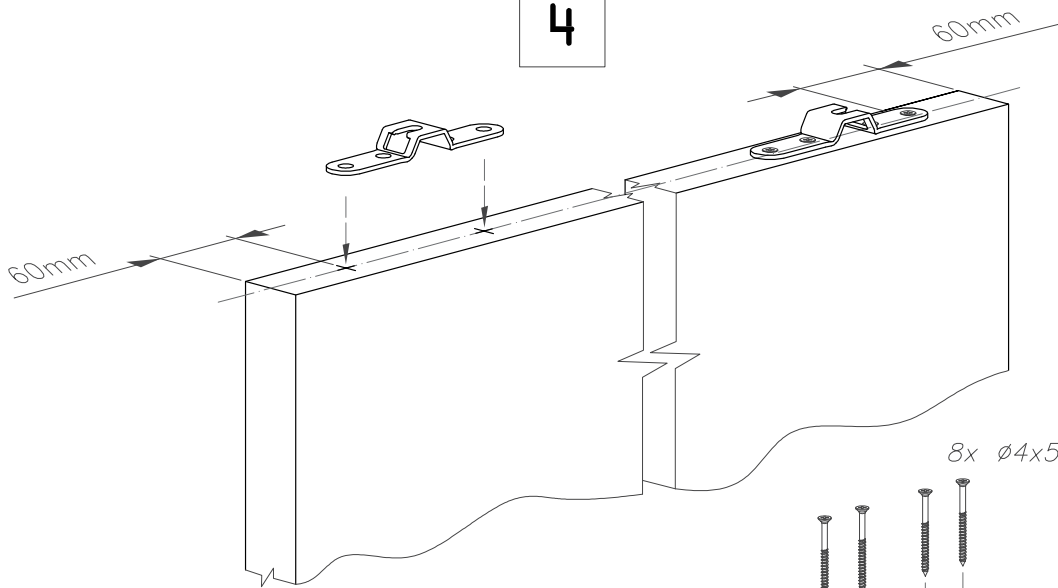
L[mm]	1200	1500	1800	2000	2400	3000
n	5	6	7	7	9	11

3



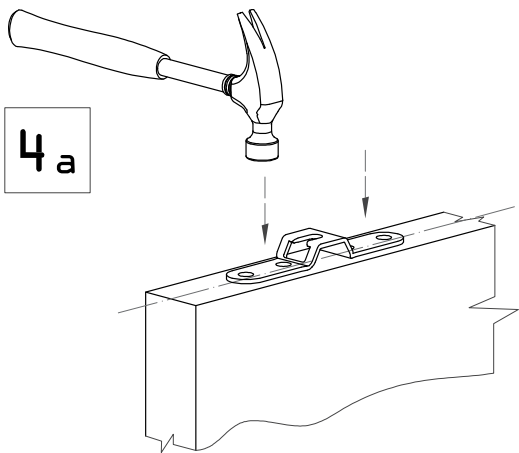


4

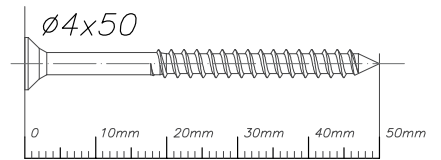
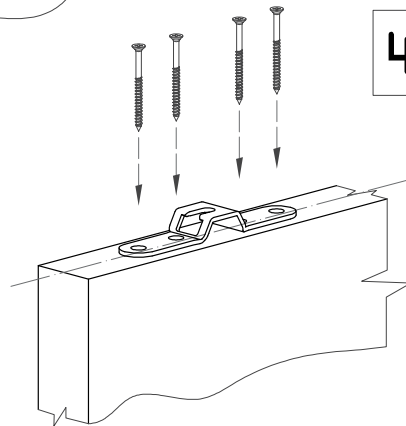


4 b

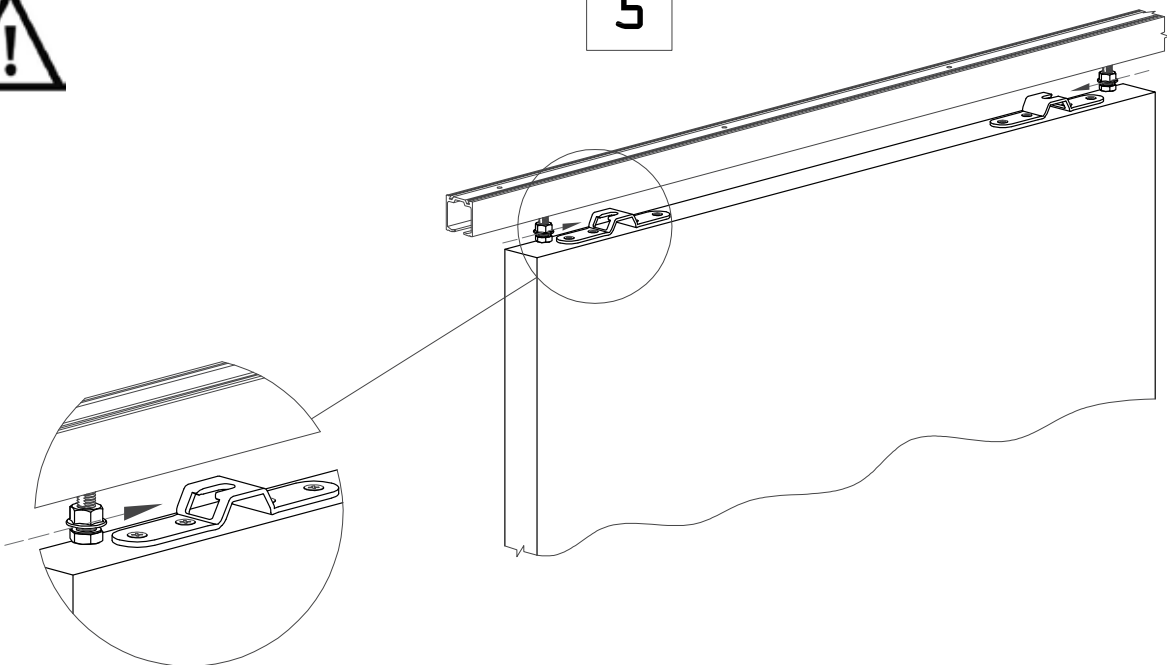
8x  $\varnothing 4 \times 50$



4 a

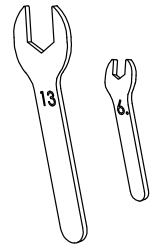
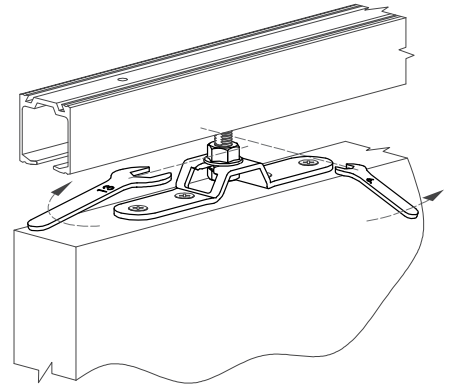
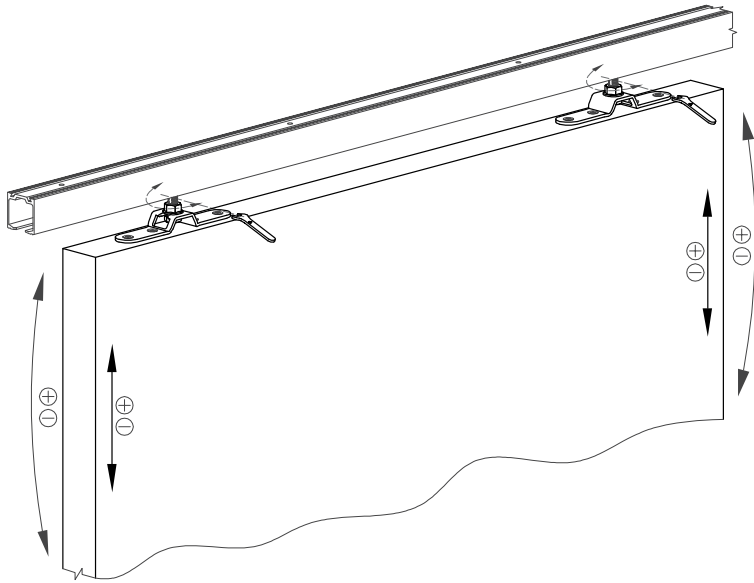


5

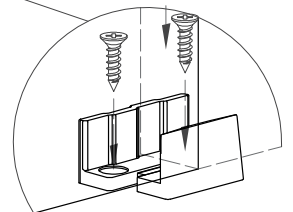
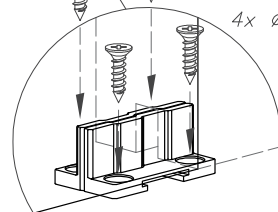
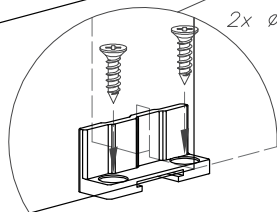
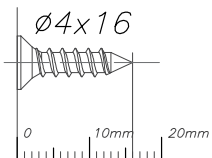
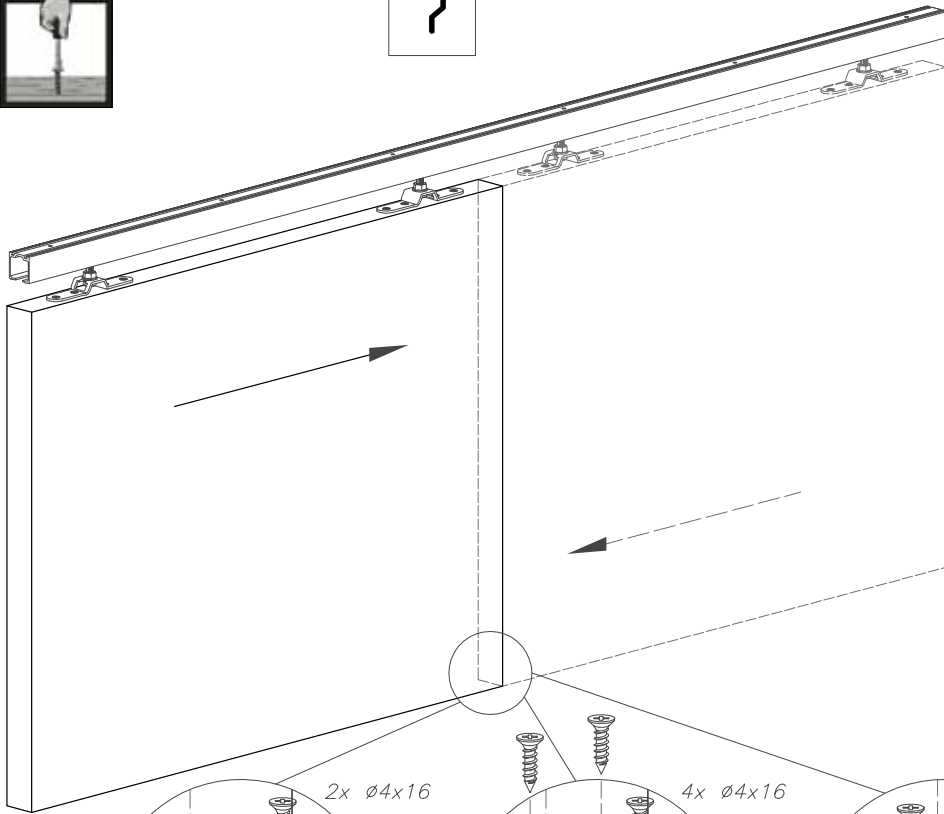


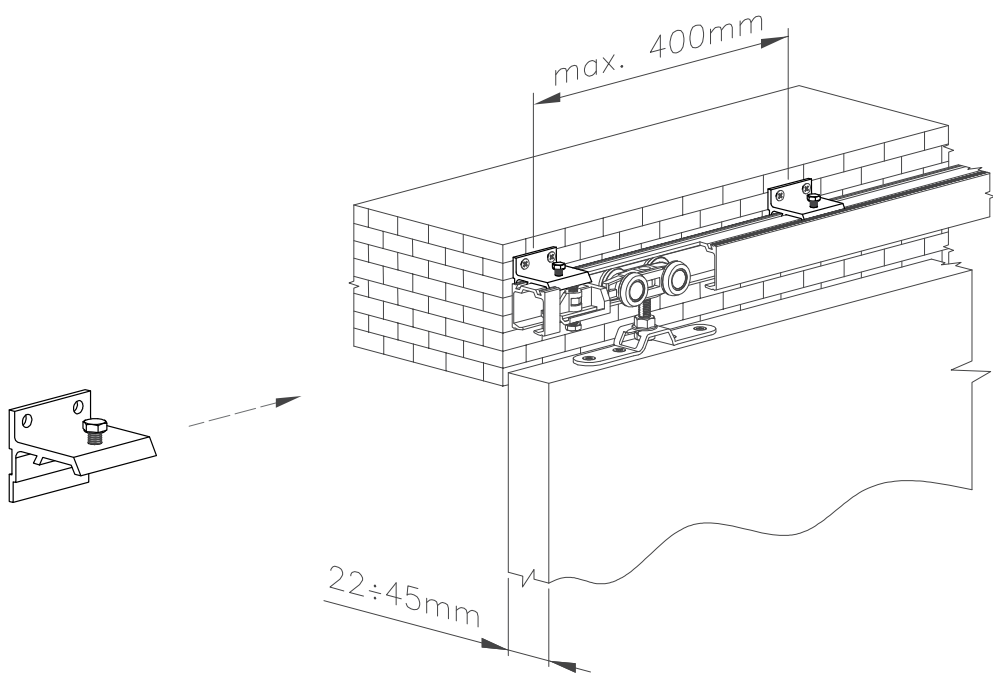
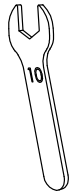
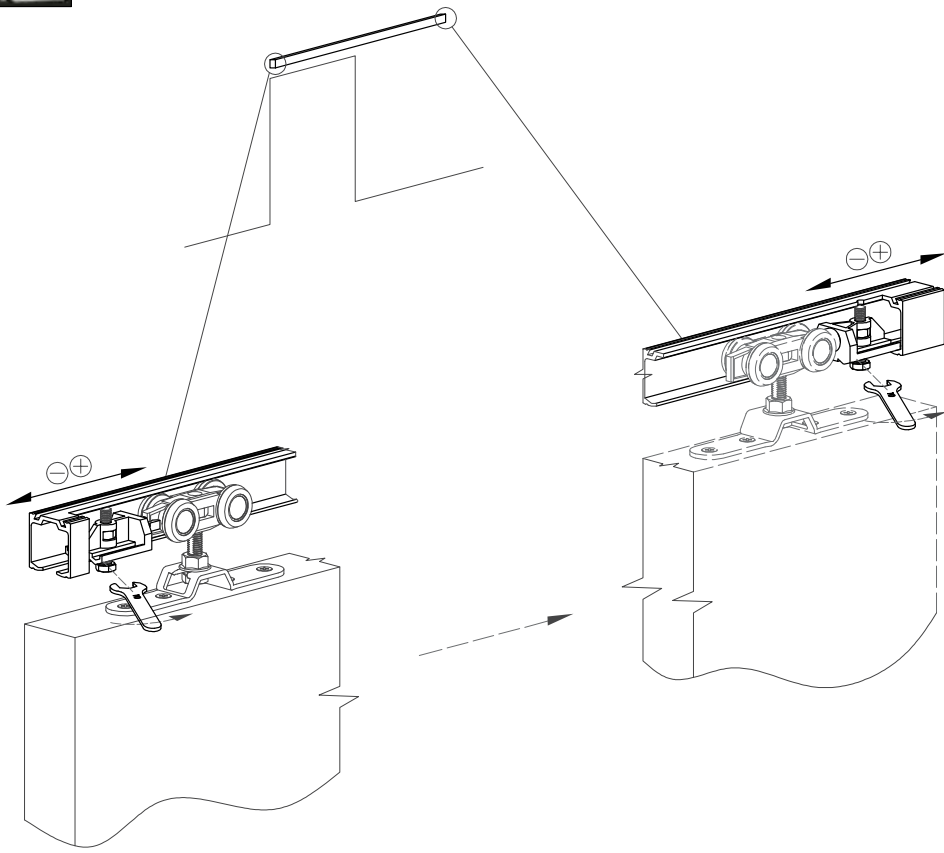


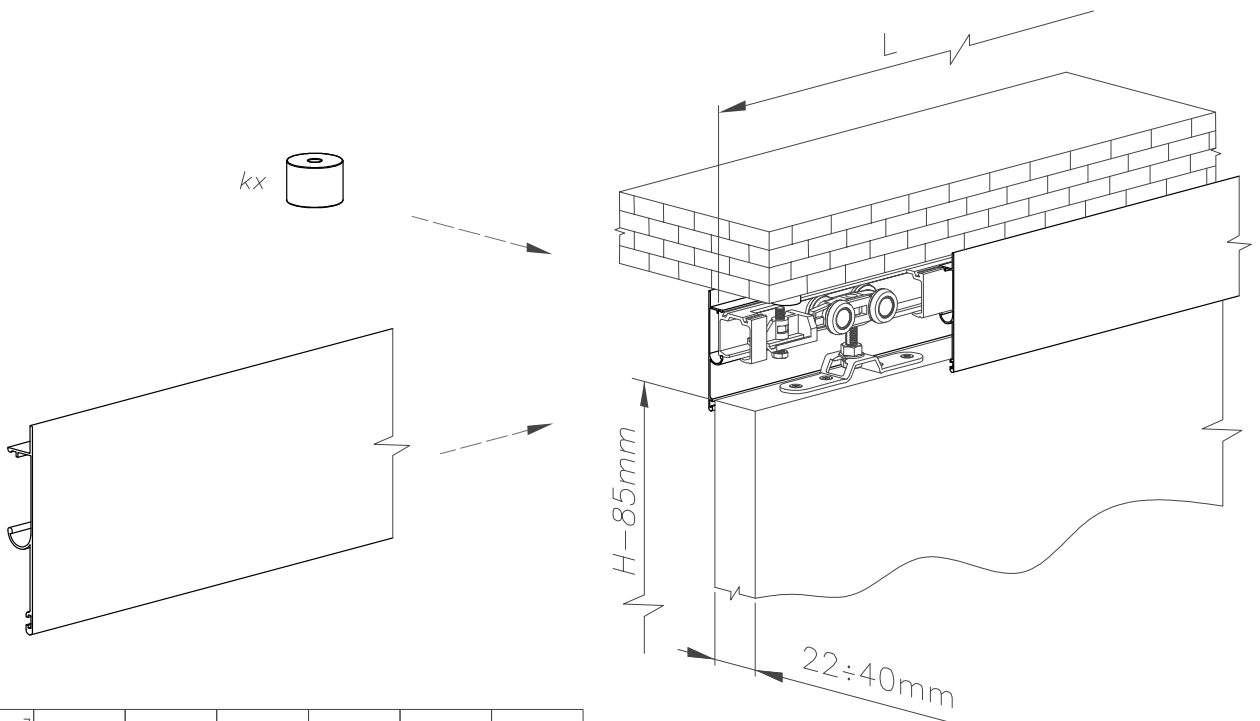
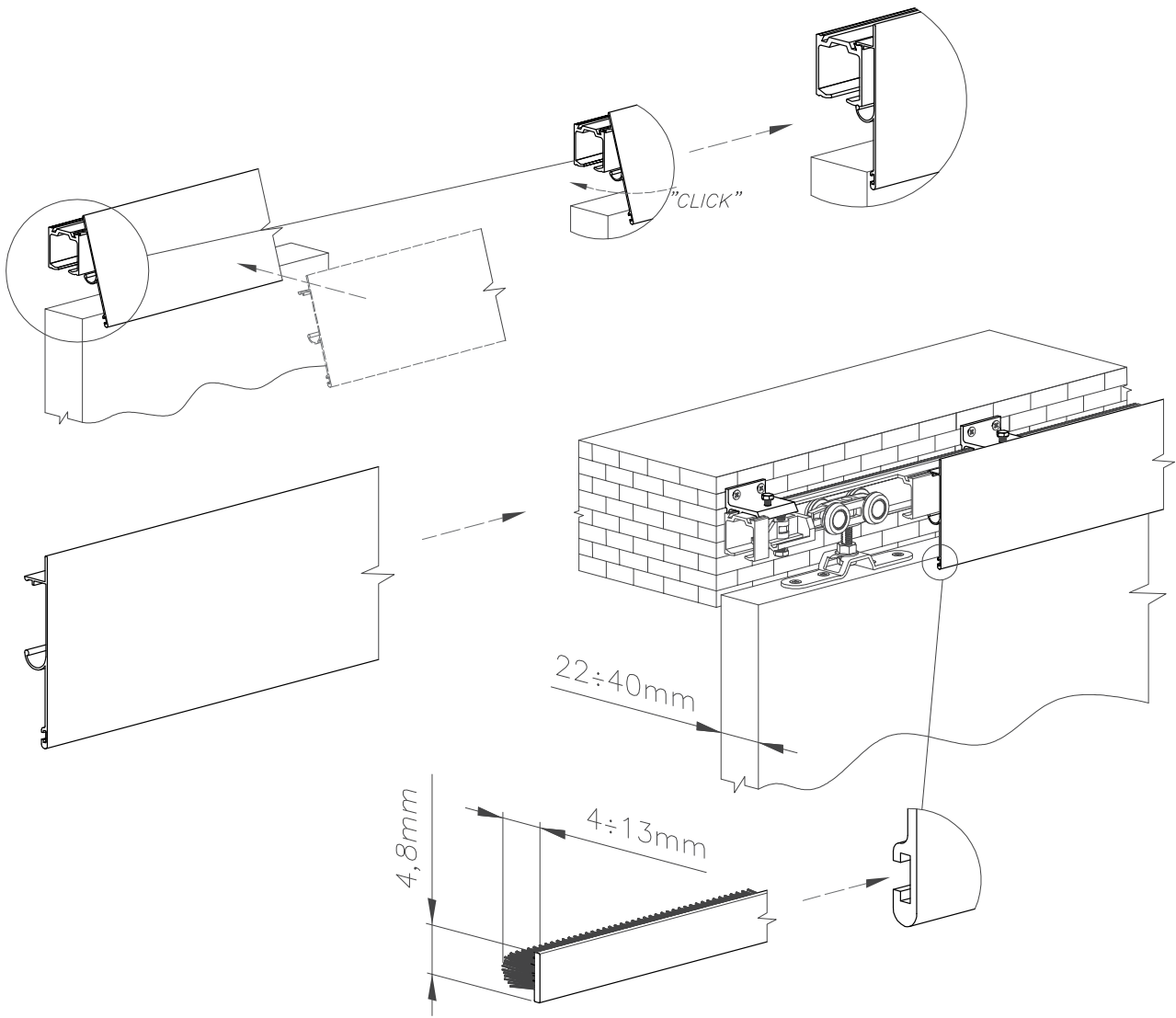
6



7







$L[\text{mm}]$	1200	1500	1800	2000	2400	3000
$k$	5	6	7	7	9	11

